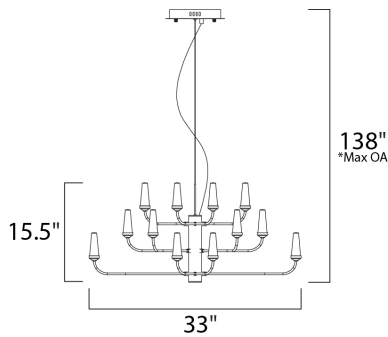




PRODUCT DESCRIPTION

Cone shaped acrylic diffusers are supported by arms that branch out of a central stem to create a European-modern look in this chandelier, finished in either Bronze or Polished Chrome. These large scale LED chandeliers would be at home in either dining or entry hall applications.



*max overall height

MEASUREMENTS

DIMENSION : 33" L x 33" W x 15.5" H
 MAX OAH : 138" OAH
 HANGING WEIGHT : 6 lb

LAMPING

INPUT VOLTAGE : 120V
 LUMENS : 4,032 Rated
 BULB : 24 x 2.4W LED PCB Integrated , 58W Total
 BULB INCLUDED : (Integrated)
 DIMMABLE : Triac CL
 CRI : 80+ CRI
 COLOR_TEMP : 3000K

FINISHES OPTION

-  Bronze
-  Polished Chrome

GLASS

Frost White 09

MATERIAL

Steel

RATINGS

cETLus
 Dry Location



ADDITIONAL

ADJUSTABLE
 OPERATING TEMPERATURE:
 -20°C (-4°F), 40°C (104°F)

Always consult a qualified electrician before installing any lighting product.



WESTERN DISTRIBUTION CENTER (HEADQUARTER)
 253 NORTH VINELAND AVE | CITY OF INDUSTRY, CA 91746

EASTERN DISTRIBUTION CENTER
 4200 SHIRLEY DR. | ATLANTA, GA 30336

P. 626.956.4200 | F. 626.956.4225 | et2online.com