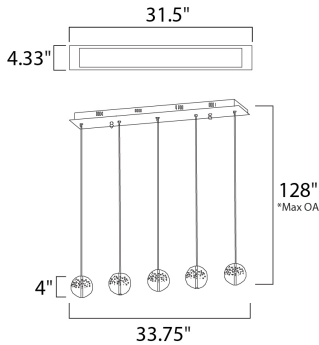




**PRODUCT DESCRIPTION**

Ablaze with xenon lamps radiating from the center of perfect spheres, the Orb Collection adds a sense of drama to any room. Clear bubble glass allows for a lustrous glow as light mimics the fluid play of water and air. Bordered with a Polished Chrome frame, the fixture mesmerizes onlookers with an innate mystery.



\*max overall height of fixture

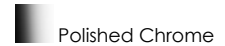
**MEASUREMENTS**

- DIMENSION : 33.75" L x 4" W x 4" H
- MAX OAH : 128" OAH
- CANOPY : 4.33" W x 1.6" H x 31.5" L
- HANGING WEIGHT : 13.3 lb

**LAMPING**

- LUMENS : 1,600 Rated
- BULB : 5 x 20W Xenon 12V G4 , 100W Total
- BULB INCLUDED : (Included)
- DIMMABLE : Electronic Low Voltage (ELV)
- COLOR\_TEMP : 2900K

**FINISHES OPTION**



**GLASS**

Bubble 91

**MATERIAL**

Bubble Glass, Steel

**RATINGS**

cETLus  
Dry Location



**ADDITIONAL**

TRANSFORMER  
RATED LIFE 2000 Hours  
OPERATING TEMPERATURE:  
-20°C (-4°F), 40°C (104°F)

Always consult a qualified electrician before installing any lighting product.



**WESTERN DISTRIBUTION CENTER (HEADQUARTER)**  
253 NORTH VINELAND AVE | CITY OF INDUSTRY, CA 91746  
**EASTERN DISTRIBUTION CENTER**  
4200 SHIRLEY DR. | ATLANTA, GA 30336  
P. 626.956.4200 | F. 626.956.4225 | et2online.com