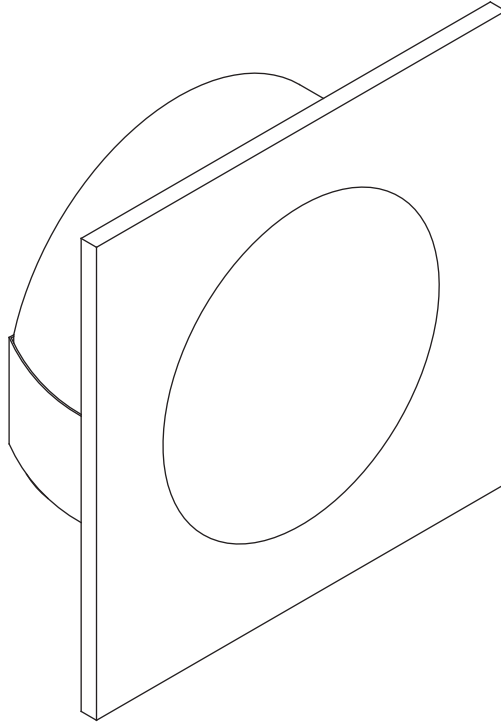


Contemporary Lighting

PRODUCT NAME: Alumilux

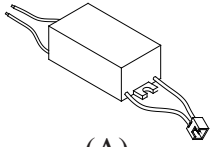
ITEM NUMBER: E41403-SA / E41403-BZ / E41403-WT

Please consult your electrician for hanging fixture and wiring.

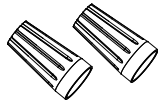


To prevent water intrusion, caulk around back-plate where fixture meets the wall using outdoor silicone sealant. Leave a small gap at the bottom to allow moisture to exit.

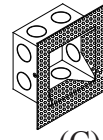
IMPORTANT: Turn off the power at the main fuse or circuit breaker box before starting installation



(A)
Driver

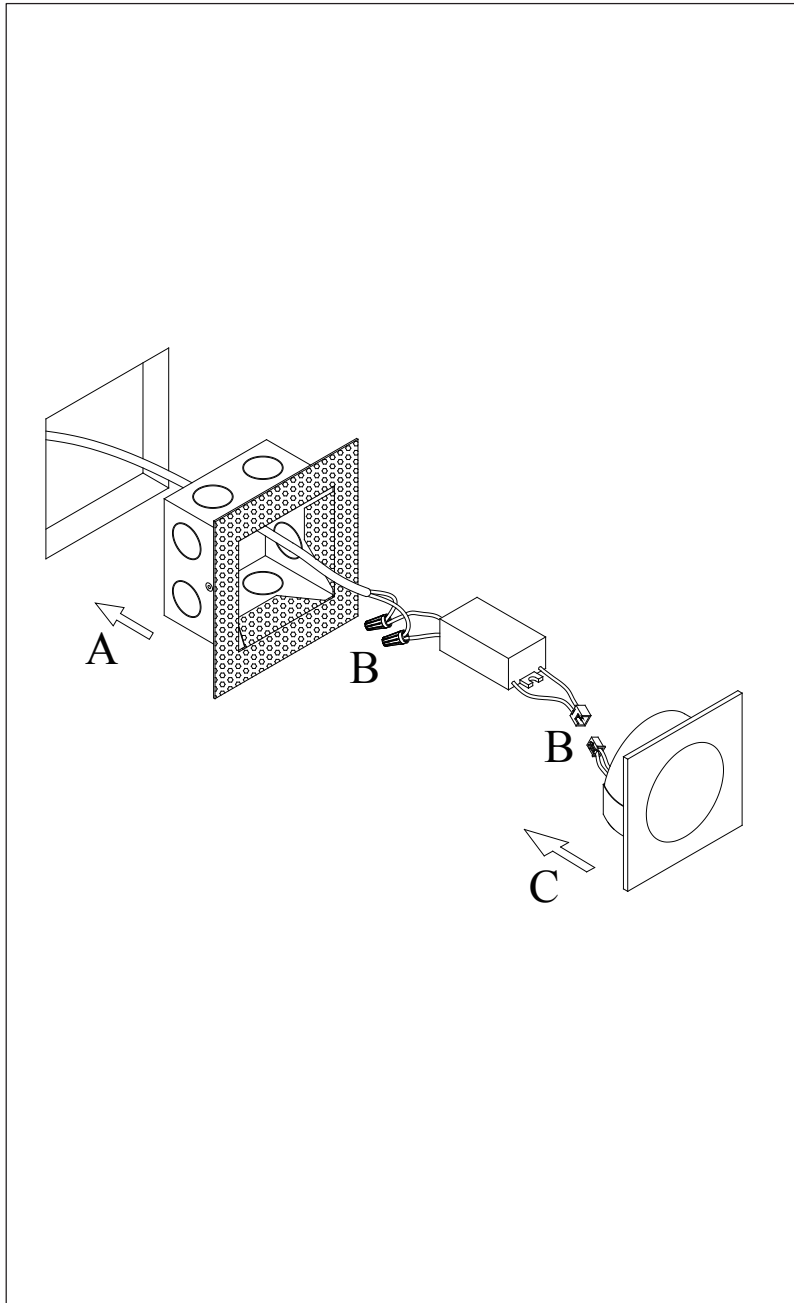


(B)
Wire Nuts (x2)

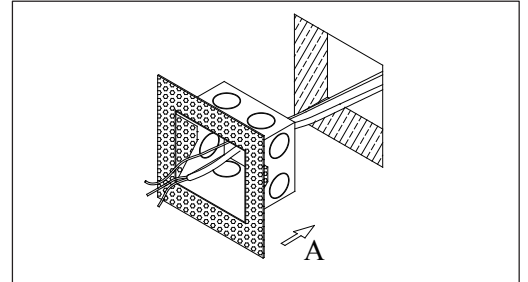


(C)
Item Number:5800
Outlet Box(not incl.)

Locate all hardware & components before discarding packaging

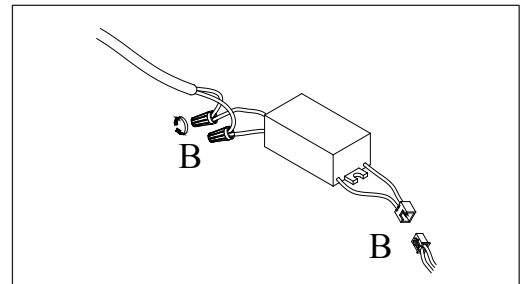


1.)



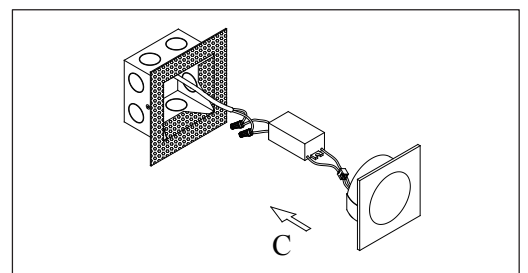
Step.1: Fix the outlet box to the hole.

2.)



Step.2: Connect step light to driver provided.
Wire driver wires to low voltage supply wires.

3.)



Step.3: Caulk around the housing with silicone sealant to prevent water intrusion.
Leave a gap at the bottom to let moisture escape. Then install fixture to housing.

Cleaning & Care:

Clean with soft cloth and a mild detergent.
Do not use abrasive cleaner.