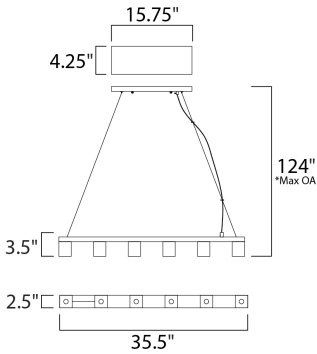




**PRODUCT DESCRIPTION**

The building blocks of style. This collection comes in a wide variety of applications for the most innovative illumination solutions. The lamp configurations boast thick, Clear/Frosted square glasses encasing G9 LED bulbs. Light blocks are anchored to a highly reflective Polished Chrome frame that reflects their simple elegance.



\*max overall height

**MEASUREMENTS**

DIMENSION : 35.5" L x 2.5" W x 3.5" H  
 MAX OAH : 118" OAH  
 CANOPY : 4.25" W x 1" H x 15.75" L  
 HANGING WEIGHT : 9.26 lb

**LAMPING**

INPUT VOLTAGE : 120V  
 LUMENS : 2,640 Rated  
 BULB : 6 x 2.2W LED G9 , 13W Total  
 BULB INCLUDED : (Included)  
 DIMMABLE : Triac CL  
 CRI : 80+ CRI  
 COLOR\_TEMP : 3000K

**FINISHES OPTION**

 Polished Chrome

**GLASS**

Clear 18

**MATERIAL**

Steel

**RATINGS**

cETLus  
 Dry Location



**ADDITIONAL**

ADJUSTABLE  
 OPERATING TEMPERATURE:  
 -20°C (-4°F), 40°C (104°F)

Always consult a qualified electrician before installing any lighting product.



**WESTERN DISTRIBUTION CENTER (HEADQUARTER)**  
 253 NORTH VINELAND AVE | CITY OF INDUSTRY, CA 91746  
**EASTERN DISTRIBUTION CENTER**  
 4200 SHIRLEY DR. | ATLANTA, GA 30336  
 P. 626.956.4200 | F. 626.956.4225 | et2online.com