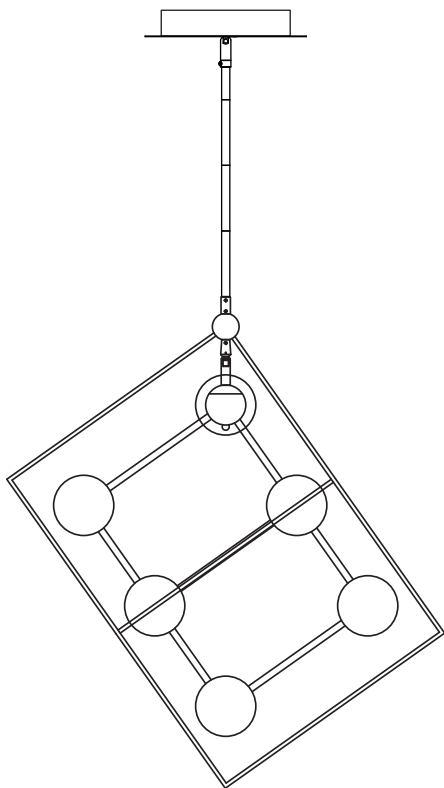




Contemporary Lighting

PRODUCT NAME: Ion 7-Light LED Pendant
ITEM NUMBER: E20443-BKPC

Please consult your electrician for hanging fixture and wiring.



This fixture is designed to dim with an Electronic Low Voltage dimmer. Dimming levels will vary by dimmer.

Below is a List of Recommended Dimmers:

Lutron DVELV-330P

Lutron SAELV-153P

Leviton 6674-POW

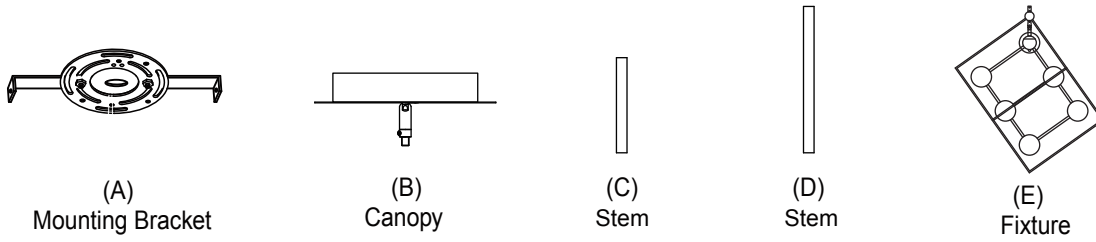
Legrand RH703PTU

Due to inrush current wattage should not exceed 150 watts of product for a 600 watt dimmer.

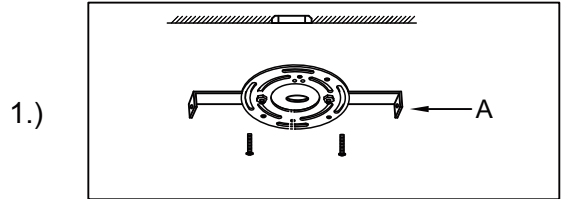
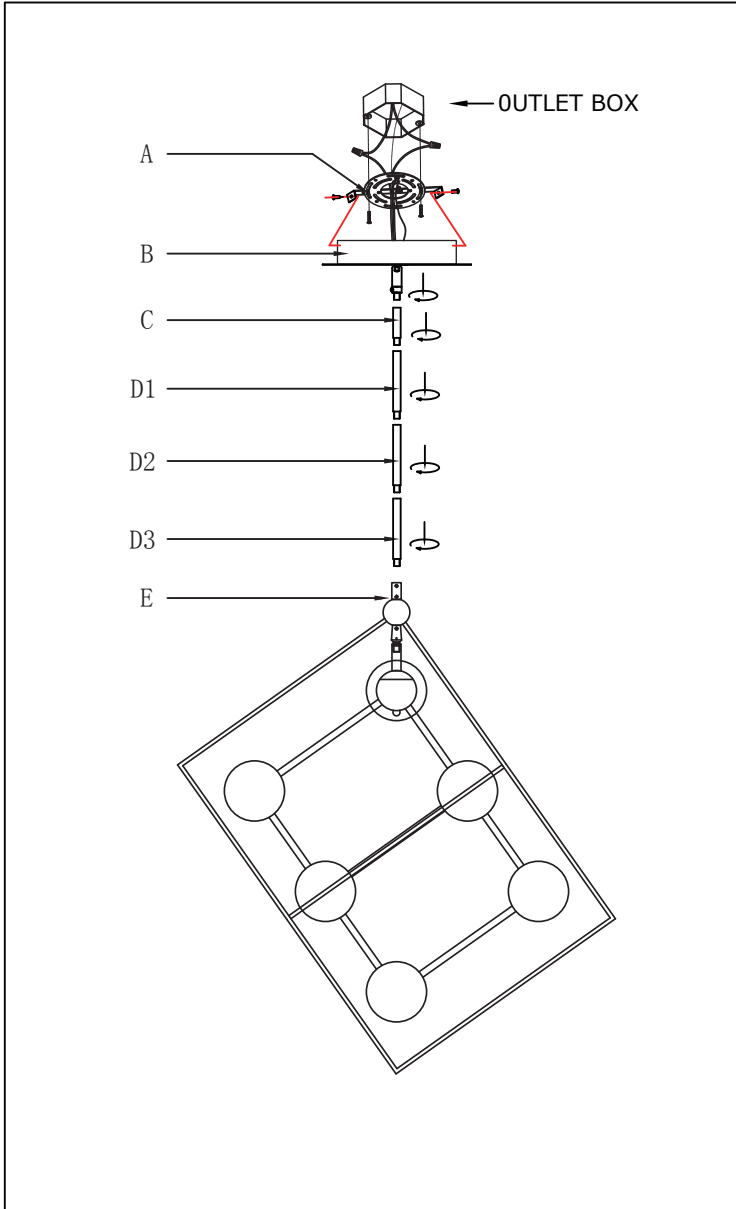
WARNING: Wires need to be connected to driver found in canopy and should not be connected directly to power source or a short may occur .

Bulbs (Integrated): LED 40.5W

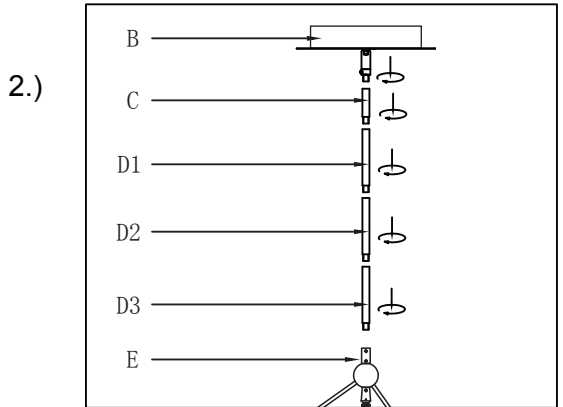
IMPORTANT: Turn off the power at the main fuse or circuit breaker box before starting installation



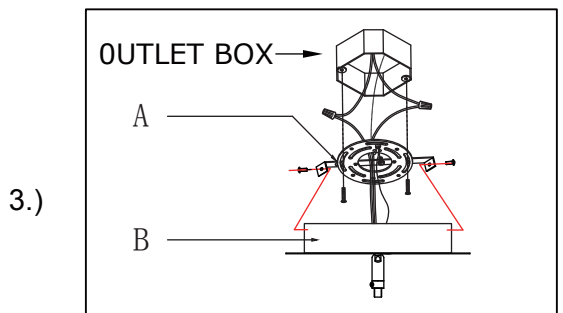
Locate all hardware & components before discarding packaging



Step.1: Remove Mounting Bracket (A) from Canopy(B) and to install to electrical box.



Step.2: Run wire through stems and combine stem lengths to meet desired mounting height.



Step.3: Wire fixture to wires in outlet box. Green wire is for Ground. Install fixture to bracket and tighten screws at the ends of the canopy to secure.

Cleaning & Care:
 Clean with soft cloth and a mild detergent.
 Do not use abrasive cleaner.