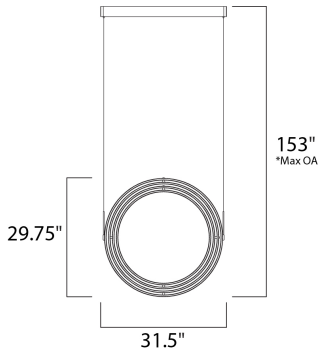


**PRODUCT DESCRIPTION**

Concentric bands of Matte White rotate on 2 axis points to adjust in multiple directions similar to a gyroscope. The edge of each slender band is encased with a small LED strip covered by a frosted lens. It is more a work of art than just a lighting fixture.



\*max overall height

**MEASUREMENTS**

DIMENSION : 25.75" L x 25.75" W x 23.75" H  
 MAX OAH : 147" OAH  
 HANGING WEIGHT : 6.5 lb

**LAMPING**

INPUT VOLTAGE : 120V  
 LUMENS : 6,476 Rated  
 BULB : 8 x 92.5W LED PCB Integrated , 92W Total  
 BULB INCLUDED : (Integrated)  
 DIMMABLE : Triac CL  
 CRI : 80+ CRI  
 COLOR\_TEMP : 3000K

**FINISHES OPTION**

Matte White

**MATERIAL**

Aluminum, Acrylic

**RATINGS**

cETLus  
 Dry Location



**ADDITIONAL**

ADJUSTABLE  
 OPERATING TEMPERATURE:  
 -20°C (-4°F), 40°C (104°F)

Always consult a qualified electrician before installing any lighting product.



**WESTERN DISTRIBUTION CENTER (HEADQUARTER)**  
 253 NORTH VINELAND AVE | CITY OF INDUSTRY, CA 91746  
**EASTERN DISTRIBUTION CENTER**  
 4200 SHIRLEY DR. | ATLANTA, GA 30336  
 P. 626.956.4200 | F. 626.956.4225 | et2online.com