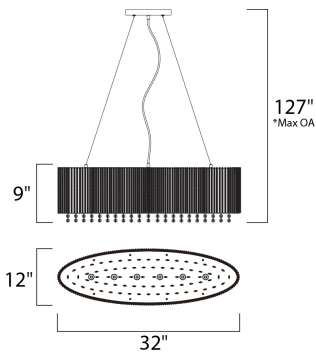




**PRODUCT DESCRIPTION**

The Spiral Collection features curled metal tubing that shines like diamonds radiating in the sun. Strands of high quality K9 crystal beads add to the opulence of the fixture offering a distinct sparkle visible whether off or on.



\*max overall height


**MEASUREMENTS**

- DIMENSION : 32" L x 12" W x 9" H
- MAX OAH : 127" OAH
- CANOPY : 4.5" W x 1" H x 7" L
- HANGING WEIGHT : 11.44 lb

**LAMPING**

- LUMENS : 3,000 Rated
- BULB : 6 x 40W Xenon G9 , 240W Total
- BULB INCLUDED : (Included)
- DIMMABLE : Yes
- COLOR\_TEMP : 2900K

**FINISHES OPTION**

-  Polished Chrome

**MATERIAL**

Steel

**RATINGS**

cETLus  
Dry Location



**ADDITIONAL**

RATED LIFE 2000 Hours  
OPERATING TEMPERATURE:  
-20°C (-4°F), 40°C (104°F)

Always consult a qualified electrician before installing any lighting product.



**WESTERN DISTRIBUTION CENTER (HEADQUARTER)**  
253 NORTH VINELAND AVE | CITY OF INDUSTRY, CA 91746  
**EASTERN DISTRIBUTION CENTER**  
4200 SHIRLEY DR. | ATLANTA, GA 30336  
P. 626.956.4200 | F. 626.956.4225 | et2online.com