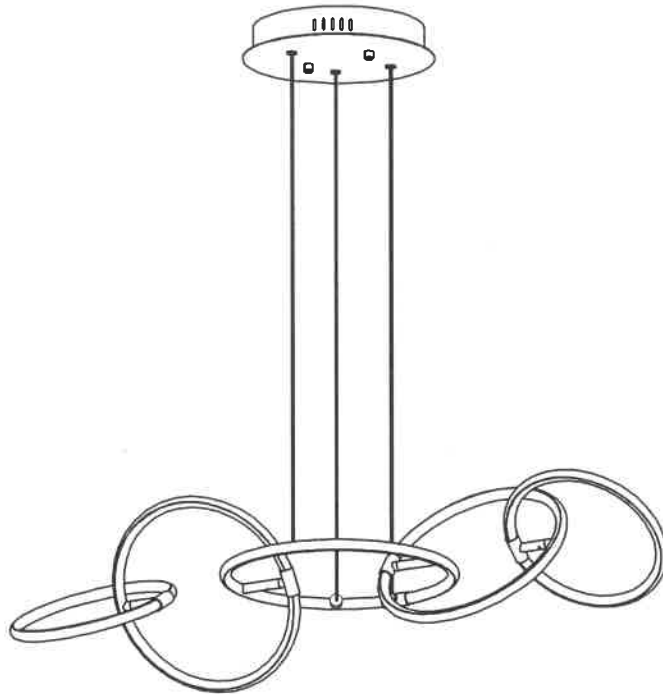




# Contemporary Lighting

PRODUCT NAME: Ringer  
ITEM NUMBER: E24726-BKPC

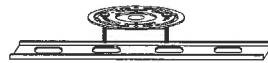
Please consult your electrician for hanging fixture and wiring.



**Warning! Wires need to be connected to driver found in canopy and should not be connected directly to power source or a short may occur.**

Bulb(integrated): LED 59W

**IMPORTANT: Turn off the power at the main fuse or circuit breaker box before starting installation**

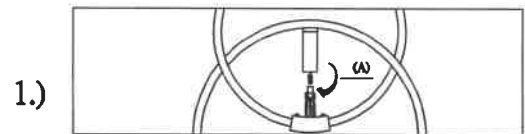
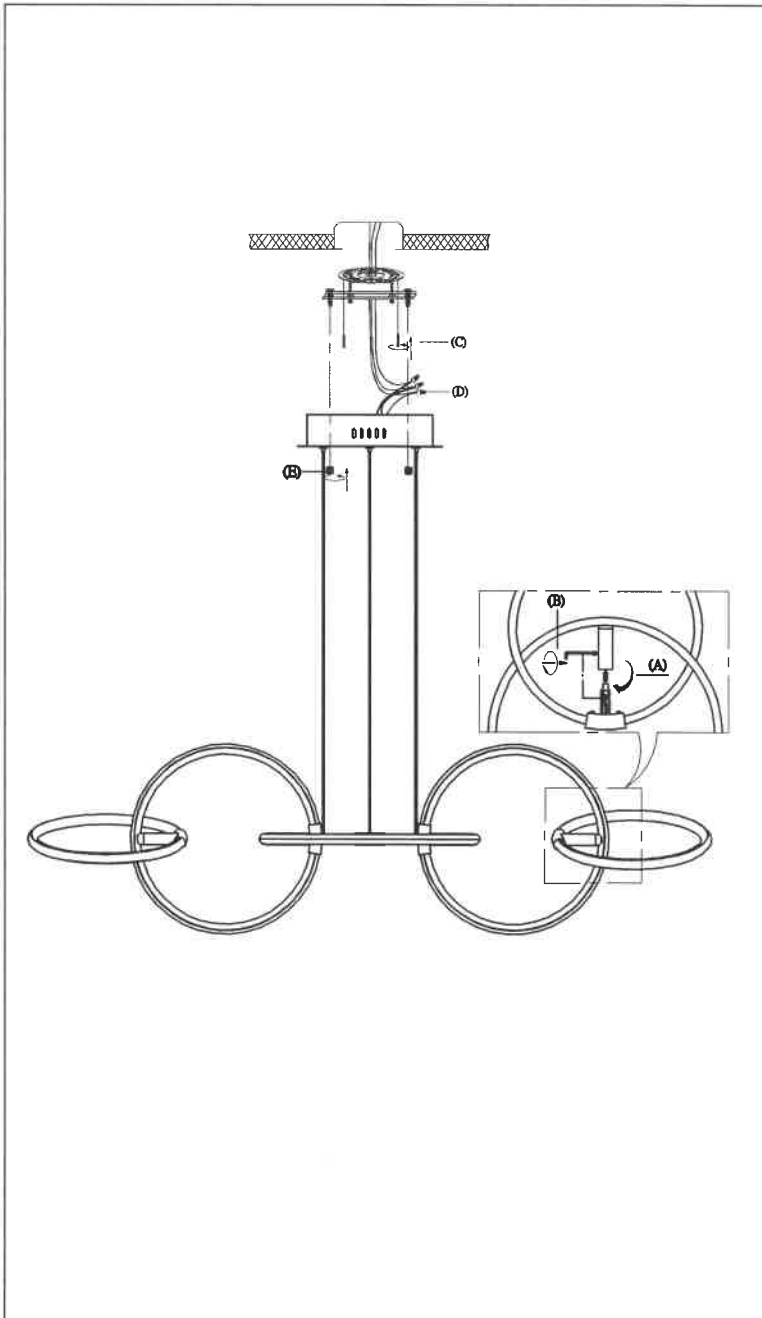


(A)  
Mounting Bracket

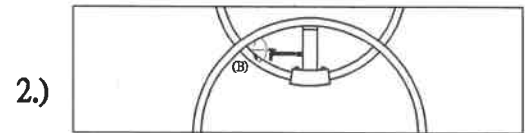


(C)  
Finial

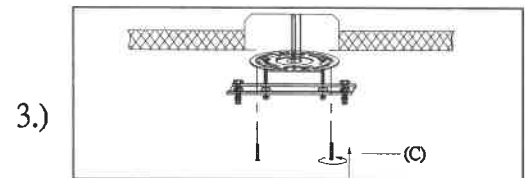
**Locate all hardware & components before discarding packaging**



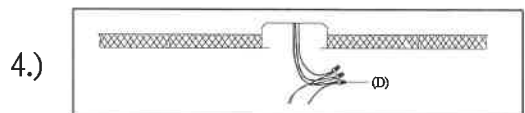
1.)  
Step.1: Connect outer ring using LED quick connect plug (A).



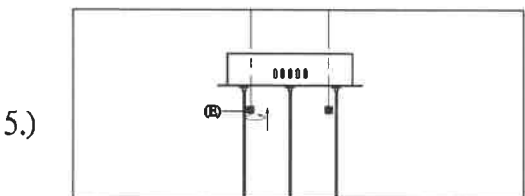
2.)  
Step.2: Secure ring to fixture using Allen screw tool (B) provided.



3.)  
Step.3: Remove mounting bracket (C) from fixture and install to electrical box.



4.)  
Step.4: Wire fixture to wires (D) in outlet box. Copper wire is for Ground.



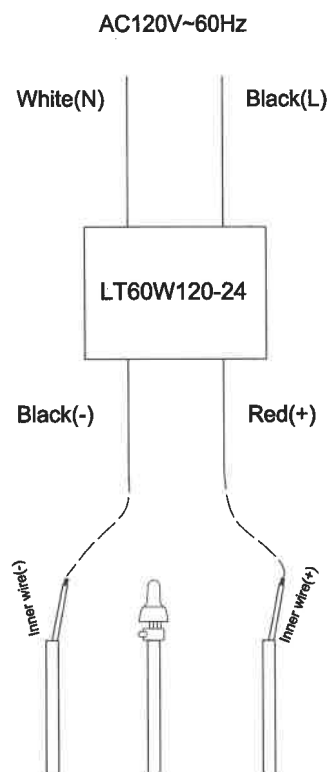
5.)  
Step.5: Adjust wire length to desired mounting height, and tighten strain relief screws to secure. Install fixture to bracket and tighten screws (E) at the ends of the canopy to secure.

**Cleaning & Care:**

Clean with soft cloth and a mild detergent.  
Do not use abrasive cleaner.

This fixture **must** be installed with compatible dimmer types only.  
Improper wiring of fixture and/or use of incorrect dimmers will  
cause **catastrophic failure** and void the warranty.

## E24726-BKPC



### SCHEMATIC FOR GENERAL REFERENCE ONLY

If fixture does not light,  
reverse polarity.

#### FOR Optimal Use

Triac  
For example, Lutron  
DVCL-150P/DVCL-153P

#### DO NOT USE

0-10V or magnetic  
dimmer

#### IMPORTANT

Make sure that your  
dimnable LED fixture is paired  
with the correct dimmer type

Must be installed by a licensed electrician with  
knowledge of electronic lighting systems