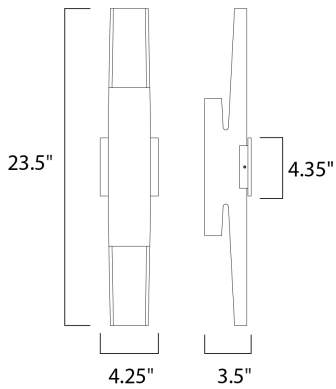




PRODUCT DESCRIPTION





MEASUREMENTS

DIMENSION : 4.25" W x 23.5" H x 3.5" Ext
 BACK PLATE : 4.35" W x 4.35" H x 11.75" HCO
 HANGING WEIGHT : 4.62 lb

LAMPING

INPUT VOLTAGE : 120V
 LUMENS : 560 Rated (480 Del.)
 BULB : 2 x 4W LED PCB Integrated , 8W Total
 BULB INCLUDED : (Integrated)
 DIMMABLE : Electronic Low Voltage (ELV)
 CRI : 90+ CRI
 COLOR_TEMP : 3000K

FINISHES OPTION

-  Bronze
-  White

MATERIAL

Aluminum

RATINGS

cETLus
 Wet Location
 For Outdoor
 ADA



ADDITIONAL

INSTALL UP/DOWN: Any
 OPERATING TEMPERATURE:
 -20°C (-4°F), 40°C (104°F)

Always consult a qualified electrician before installing any lighting product.



WESTERN DISTRIBUTION CENTER (HEADQUARTER)
 253 NORTH VINELAND AVE | CITY OF INDUSTRY, CA 91746
EASTERN DISTRIBUTION CENTER
 4200 SHIRLEY DR. | ATLANTA, GA 30336
 P. 626.956.4200 | F. 626.956.4225 | et2online.com